

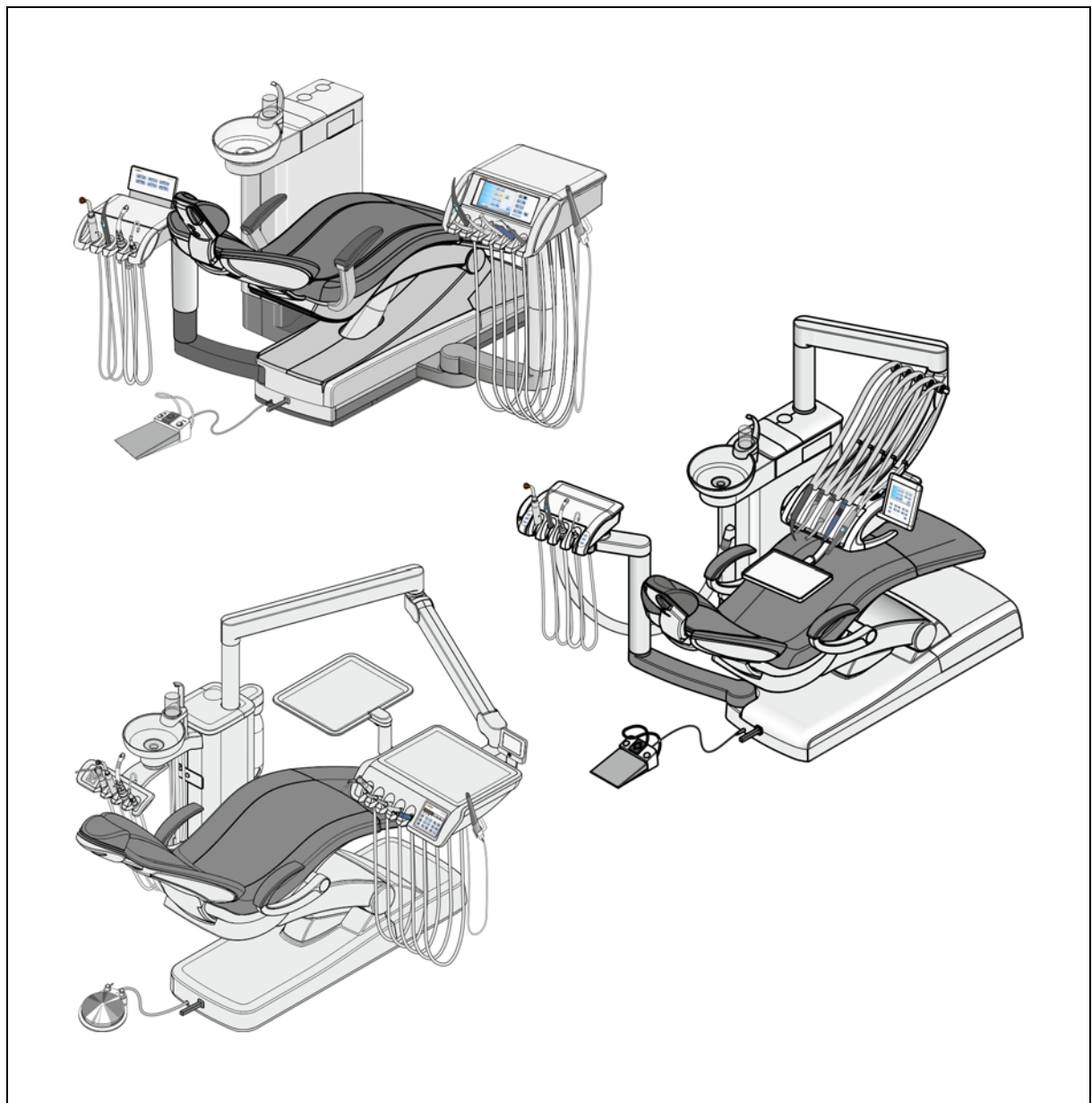
New as of:

02.2017

TENEO SINIUS, SINIUS CS, SINIUS TS INTEGO, INTEGO pro, INTEGO Ambidextrous, INTEGO pro Ambidextrous

Addendum to Operating Instructions (only for China)

English



1 General information

Dear customer,

Your dental treatment unit has been delivered with up to date documents. However, some modifications not yet listed in your Unit Manual may apply to your treatment unit.

To keep your documents up to date with regard to official inspections, please insert this paper into your Unit Manual behind the register "Operating Instructions".

Much success with your treatment unit

Your Sirona Team

2 RoHS label

The label described in the following complete the document Operating Instructions which is part of your Unit Manual.

The system itself, parts and accessories of your dental treatment unit may be labeled with the following symbol. Here you will find the explanation of this RoHS label.



According to Chinese standard "SJ/T 11364 Marking Requirements for Control Pollution Caused by Electronic Information Products", products containing RoHS substances have to be marked with the pictured symbol.

The number shown on the label indicates the so called "Environmental Friendly Use Period". This is the period of time in years during which the toxic or hazardous substances or elements contained in our products will not leak or mutate so that the use of these substances or elements will not result in any severe environmental pollution, any bodily injury or damage to any assets.

The toxic or hazardous substances or elements are contained only in solid state, alloys and conjunctions. Particular parts are additionally coated by a protection varnish and covering parts. Based on these realized measures material leakages and mutates are not expected for the period of „Environmental Friendly Use“.

- Lead (Pb)
- Mercury (Hg)
- Cadmium (Cd)
- Hexavalent chromium (Cr⁶⁺)
- Polybrominated biphenyls (PBB)
- Polybrominated diphenyl ethers (PBDE)

3 Hazardous Substances

Table 1: TENEO

Part number	Part name	Hazardous Substance					
		Pb	Hg	Cd	Cr ⁶⁺	PBB	PBDE
1879183	SPACER AM 4X 15	X	O	O	O	O	O
5887299	SPACER CM4 X 27	X	O	O	O	O	O
1891733	SPACER AM 3X20	X	O	O	O	O	O
3380565	SPACING TUBE 4,5X 38	X	O	O	O	O	O
3380839	SPACING TUBE 6,4 X 6	X	O	O	O	O	O
3381019	SPACER 8.4X9 SRN 6278-ST	X	O	O	O	O	O
3340965	SPACING TUBE 8,4 X 14	X	O	O	O	O	O
6183813	support cuspidor system	X	O	O	O	O	O
6180124	extension arm	X	O	O	O	O	O
6212216	SIROSONIC TL	X	O	O	O	O	O

Table 2: SINIUS, SINIUS CS, SINIUS TS

Part number	Part name	Hazardous Substance					
		Pb	Hg	Cd	Cr ⁶⁺	PBB	PBDE
1879183	SPACER AM 4X 15	X	O	O	O	O	O
5887299	SPACER CM4 X 27	X	O	O	O	O	O
3380409	SPACING TUBE 4,5X 8	X	O	O	O	O	O
3380565	SPACING TUBE 4,5X 38	X	O	O	O	O	O
3381019	SPACER 8.4X9 SRN 6278-ST	X	O	O	O	O	O
3340965	SPACING TUBE 8,4 X 14	X	O	O	O	O	O
2979771	WASHER	X	O	O	O	O	O
6183813	support cuspidor system	X	O	O	O	O	O
6256080	Lower Innerbase	X	O	O	O	O	O
6212216	SIROSONIC TL	X	O	O	O	O	O

Table 3: INTEGO, INTEGO pro, INTEGO Ambidextrous, INTEGO pro Ambidextrous

Part number	Part name	Hazardous Substance					
		Pb	Hg	Cd	Cr ⁶⁺	PBB	PBDE
3380359	SPACER TUBE 4,5X3 SRN 6278-ST	X	O	O	O	O	O
3380409	SPACING TUBE 4,5X 8	X	O	O	O	O	O
6183813	support cuspidor system	X	O	O	O	O	O
5888818	FULL CABLE CLAMP, STEEL, NATURAL, 4.8MM	X	O	O	O	O	O
5913509	SIROSONIC L	X	O	O	O	O	O

O: Indicates that this toxic or hazardous substance contained in all of the homogeneous materials for this part that is below the limit requirement in SJ/T11363.

X: Indicates that this toxic or hazardous substance contained in at least one of the homogeneous materials used for this part is above the limit requirement in SJ/T11363.

This table shows where these substances may be found in electronic information products of Sirona, as of the date of sale. Note that some of the component types listed above may or may not be a part of the actual product.

The Environmental Friendly Use Period (EFUP) for Products of Sirona and their parts is per the symbol shown here, unless otherwise marked.

The EFUP is valid only when the product is operated under the conditions defined in the user documentation.



We reserve the right to make any alterations which may be required due to technical improvements.

© Sirona Dental Systems GmbH
D3509.201.04.01.02 02.2017

Sprache: englisch
Ä.-Nr.: 000 000

Printed in Germany

Sirona Dental Systems GmbH



Fabrikstraße 31
D-64625 Bensheim
Germany
www.sirona.com

Order No

66 23 339 D3509