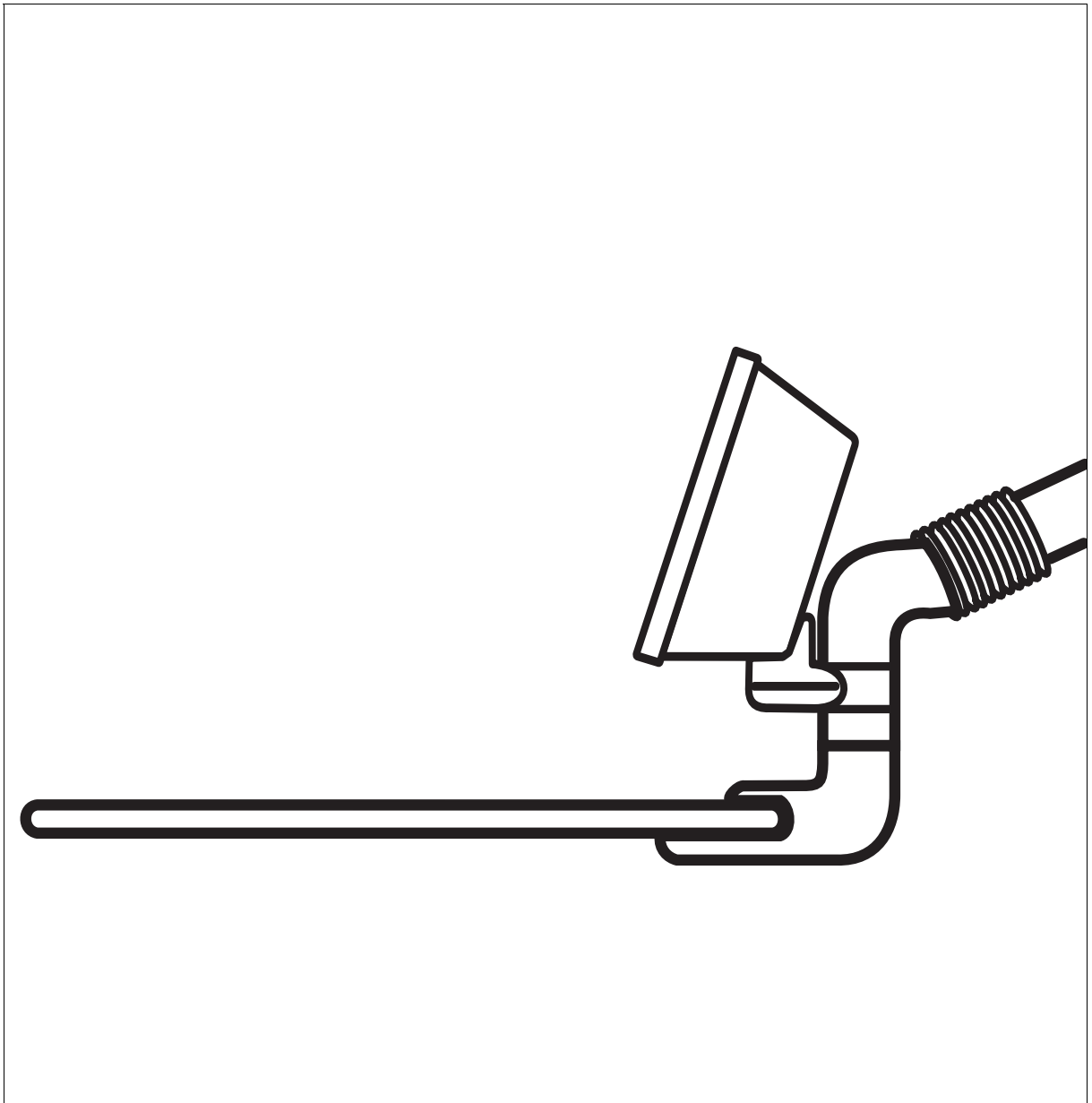


# Tray

with X-ray Film Viewer

## Operating Instructions

English



# General Notes

---

## Dear Customer

We thank you for purchasing the **tray** from the Sirona company.

The supplied technical documents are also part of this product. Please always keep this document at hand.

These **Operating Instructions** describe your tray as well as the X-ray film viewer which can be attached.

Please familiarize yourself with the tray and the X-ray film viewer by referring to these operating instructions before you put it into service. Please observe the **Safety Notes to avoid personal injury and material damage**.

Your

Sirona Team



# Contents

---

<b>1</b>	<b>Safety Notes.....</b>	<b>5</b>
<b>2</b>	<b>Technical Description .....</b>	<b>6</b>
<b>3</b>	<b>Type Overview .....</b>	<b>7</b>
	Simple tray .....	7
	Simple tray with video screen .....	7
	Permanently installed tray with medicament inserts .....	7
	X-ray film viewer (extra equipment) .....	7
<b>4</b>	<b>Operation .....</b>	<b>8</b>
	Removing and inserting the simple tray .....	8
	Height adjustment with the brake .....	8
	Filling the medicament inserts .....	8
	Removing the medicament inserts .....	9
<b>5</b>	<b>Maintenance and Care .....</b>	<b>10</b>
	Thermal disinfection .....	10
	Refilling cotton-wool dispenser .....	10
	Cleaning cap glasses .....	10
<b>6</b>	<b>Extra Equipment and Accessories .....</b>	<b>11</b>
6.1	X-ray film viewer (extra equipment) .....	11
	Description .....	11
	Switching on the light field .....	11
	Viewing fields .....	11
6.2	Accessories .....	11
	Disposal tumbler .....	11



# 1 Safety Notes

---

## General Safety Notes

This X-ray film viewer is not to be used in rooms where an explosion hazard exists.

As manufacturers of electromedical products we can assume responsibility for safety-related performance of the equipment only if **maintenance and repair** are carried out only by us or agencies we have authorized for this purpose, and if components affecting safe operation of the unit are replaced with **original spare parts**.

We recommend that you request a certificate showing the nature and extent of the work performed from those who carry out such work and specify that the certificate show any changes in rated parameters or working ranges, as well as the date, the name of the firm and a signature.

This unit has been tested by a testing laboratory. Due to legal regulations, **alterations to this unit** which could impair the safety of the operator, patient, or third parties, **are not lawful!** For reasons of product safety, **only original Sirona accessories** approved for this product, or accessories from third parties which have been released by Sirona may be used. The use of non-approved accessories is at the user's own risk.

## Identification of Warning and Safety Notes

In order to prevent injury to persons and damage to the equipment you must also read the warning and safety notes given in these Operating Instructions. These are emphasized with **NOTE**, **ATTENTION** and **WARNING**.

## Waste disposal

Public law may include special regulations regarding the waste disposal of this product. To prevent environmental damage and personal injuries, we therefore ask you to contact us prior to discontinuing the use of this product, with the aim of disposal.

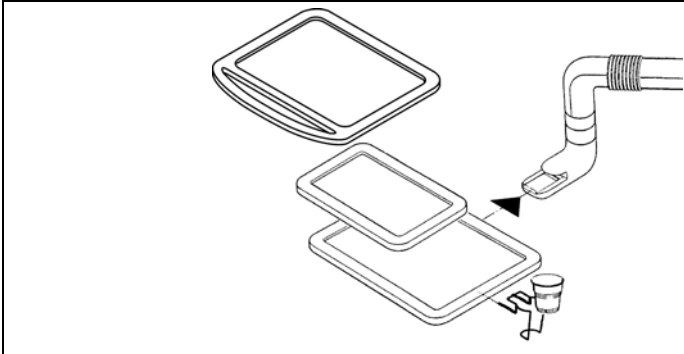
# 2 Technical Description

---

<b>Model designation:</b>	X-ray film viewer
<b>Voltage connection:</b>	24VDC +10 / -20%, connected to our treatment unit.
<b>Nominal current:</b>	0.80A
<b>Protective class</b>	Unit of protective class I
<b>Degree of protection against the penetration of water:</b>	Customary unit (without protection against penetration of water)
<b>Operating mode</b>	Continuous operation
<b>Load</b>	Simple tray: max. 1kg Try with medicament inserts: 2.5kg

# 3 Type Overview

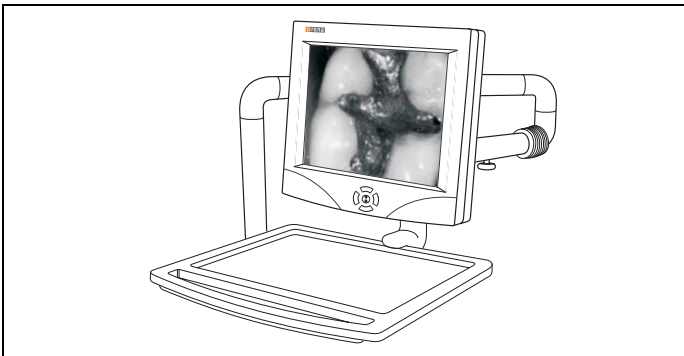
---



## Simple tray

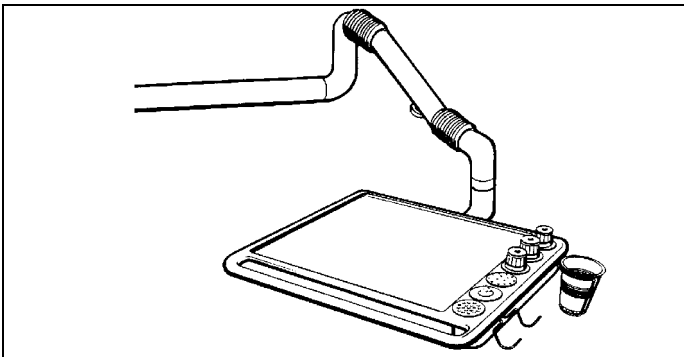
The simple tray is delivered in three sizes:

- 28.5cm x 37cm (standard)
- 28.5cm x 37cm , with handle
- 18cm x 28cm



## Simple tray with video screen

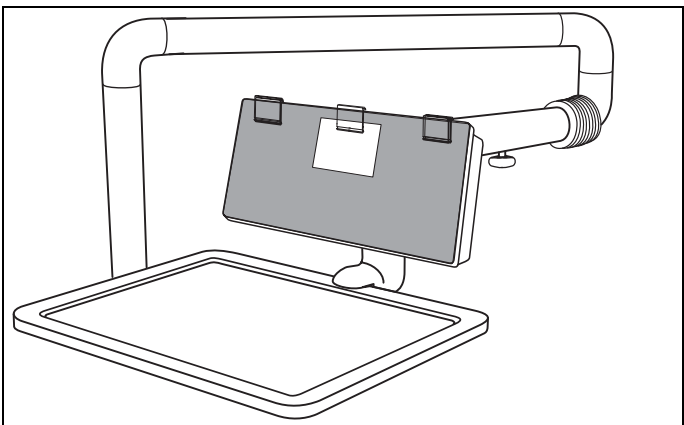
The video functions as well as the operation of the flat screen are described in the corresponding operating instructions.



## Permanently installed tray with medication inserts

On the right-hand side are:

- A holder for holding disposable tumblers
- A fast shelf for treatment instruments

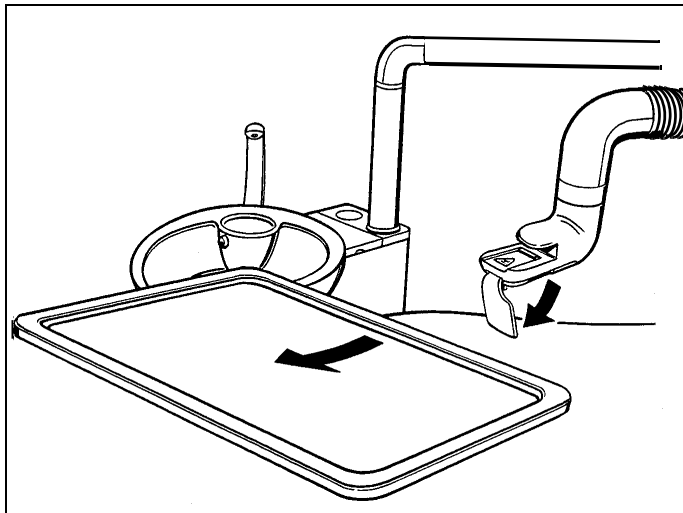


## X-ray film viewer (extra equipment)

for attaching to the trays  
(not in connection with video screen)

REF 14 37 909

# 4 Operation



## Removing and inserting the simple tray

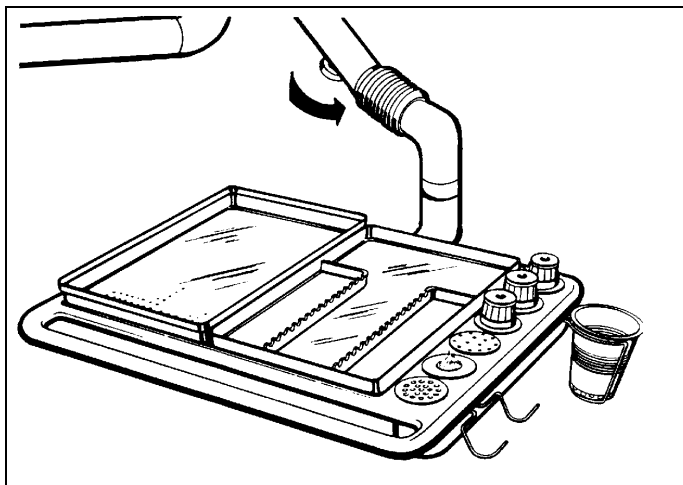
The instrument tray can be removed for easier cleaning or thermal disinfection.

1. Open the lock by swiveling the lever downwards.
2. Pull the tray off to the front.
3. Bring the lever back into its starting position.

To insert the tray simply guide the tray into the receptacle. The lock snaps closed automatically.

### **⚠ ATTENTION**

*Risk of crushing! Never place your fingers into the open receptacle of the tray.*



## Height adjustment with the brake

The tray is supported to rotate on a height-adjustable support arm.

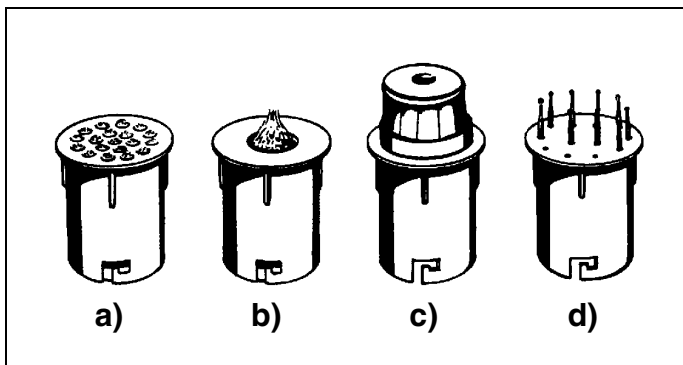
Fix the tray in at the required height by turning the brake knob in the direction of the arrow.

The tray can thus be loaded differently within limits without dropping.

### **⚠ ATTENTION**

*Risk of breaking! If the brake is applied firmly, the support arm must not be adjusted in height!*

Two standard cassette trays can be placed on the surface of each of the two large trays.



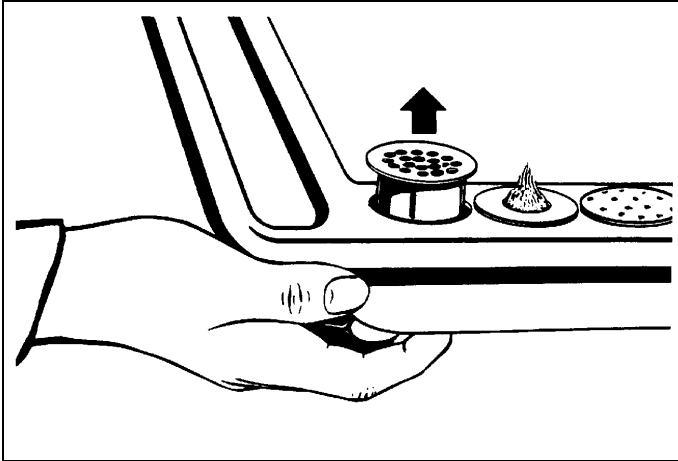
## Filling the medication inserts

The tray can be equipped optionally with the following inserts:

- a) Cotton-wool pellet dispenser
- b) Cotton-wool fleece dispenser
- c) Cap glasses, blue, red and green
- d) Bur stand

The inserts are plugged into the corresponding receptacles.

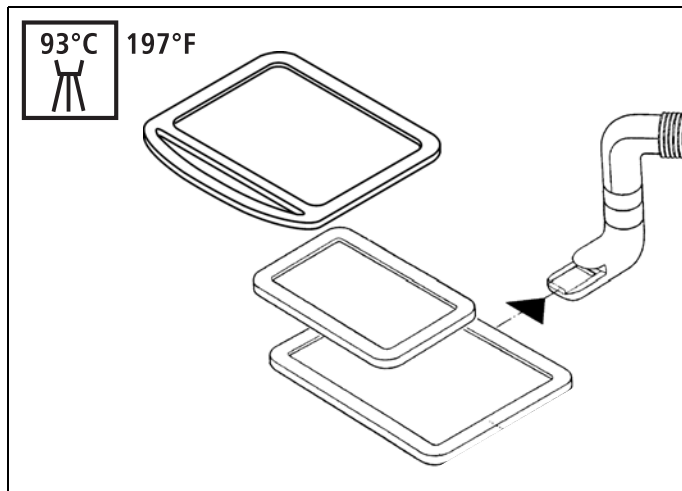




### Removing the medicament inserts

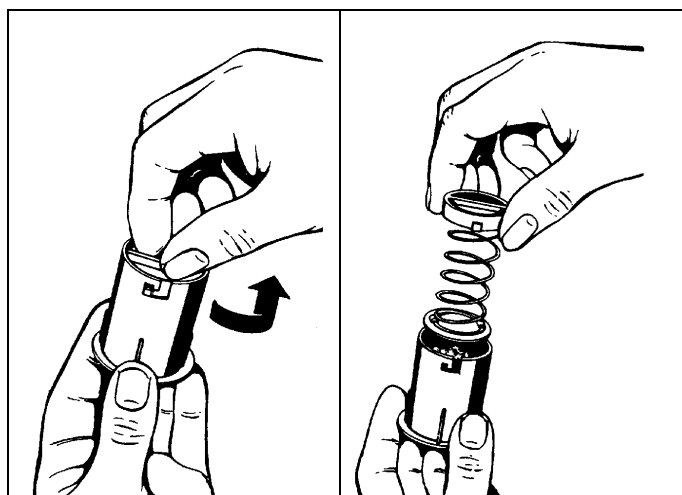
To refill the inserts or for cleaning the tray lift the inserts out from below as shown.

# 5 Maintenance and Care



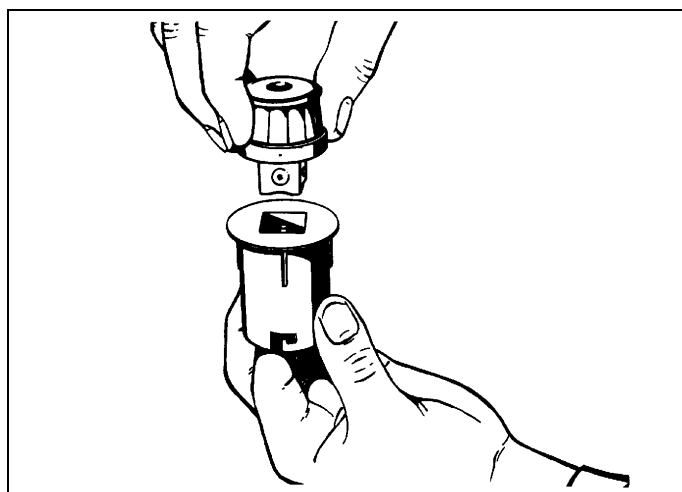
## Thermal disinfection

The trays can be thermally disinfected up to max. 95°C in the thermal disinfector.



## Refilling cotton-wool dispenser

1. Remove the bayonet-type cover on the bottom
2. Pull out the cover with spring and pressure plate.
3. Fill with cotton wool.
4. Reinsert the cover.



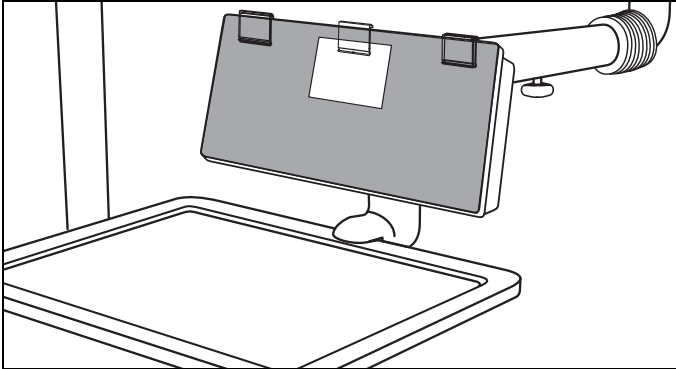
## Cleaning cap glasses

To clean the cap glasses press them out from below.

After cleaning the cap glass **reinsert** it until it snaps into place **again** in its holder.

# 6 Extra Equipment and Accessories

## 6.1 X-ray film viewer (extra equipment)



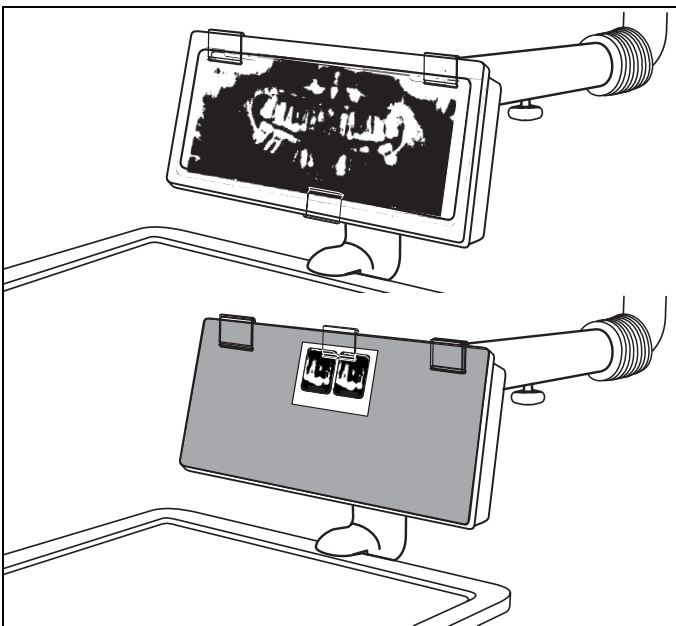
### Description

The X-ray film viewer is fastened to the support arm and turns with the tray.



### Switching on the light field

The light field is switched on and off from the unit control panel (cf operating instructions of the treatment centers).



### Viewing fields

**Large field** (16 cm x 32,5 cm)  
for customary panoramic image formats

Clamp the dental panoramic image under the 3 clips.

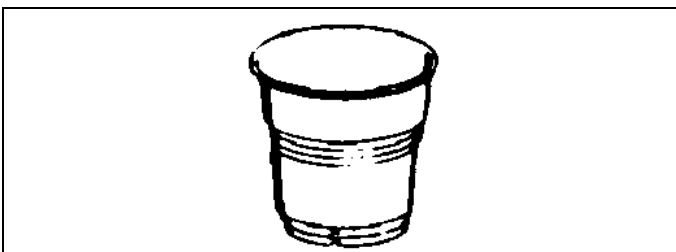
**Small field**  
for intraoral images, 3 cm x 4 cm, portrait and landscape format

To view intraoral dental images the anti-glare film (1) must firstly be attached with two clips. Then fasten the intraoral dental images with the third clip over the cutout.

### **ATTENTION**

*Defective fluorescent tubes may be changed only by the service technician.*

## 6.2 Accessories



### Disposal tumbler

100 pcs.

Order No. 52 62 969

---

We reserve the right to make any alterations which may be required due to technical improvements.

© Sirona Dental Systems GmbH 1998  
D 3296.201.01.07.02 07.2005

Sprache: englisch  
Ä.-Nr.: 000 000

Printed in Germany  
Imprimé en Allemagne

---

**Sirona Dental Systems GmbH**

Fabrikstraße 31  
64625 Bensheim  
Germany  
www.sirona.com

**in the USA:**

Sirona Dental Systems LLC  
4835 Sirona Drive, Suite 100  
Charlotte, NC 28273  
USA

**in Canada:**

Sirona Canada  
3250 Ridgeway Drive - Unit 5  
Mississauga, Ontario L5L 5Y6  
Canada

Order No

**60 55 359 D 3296**