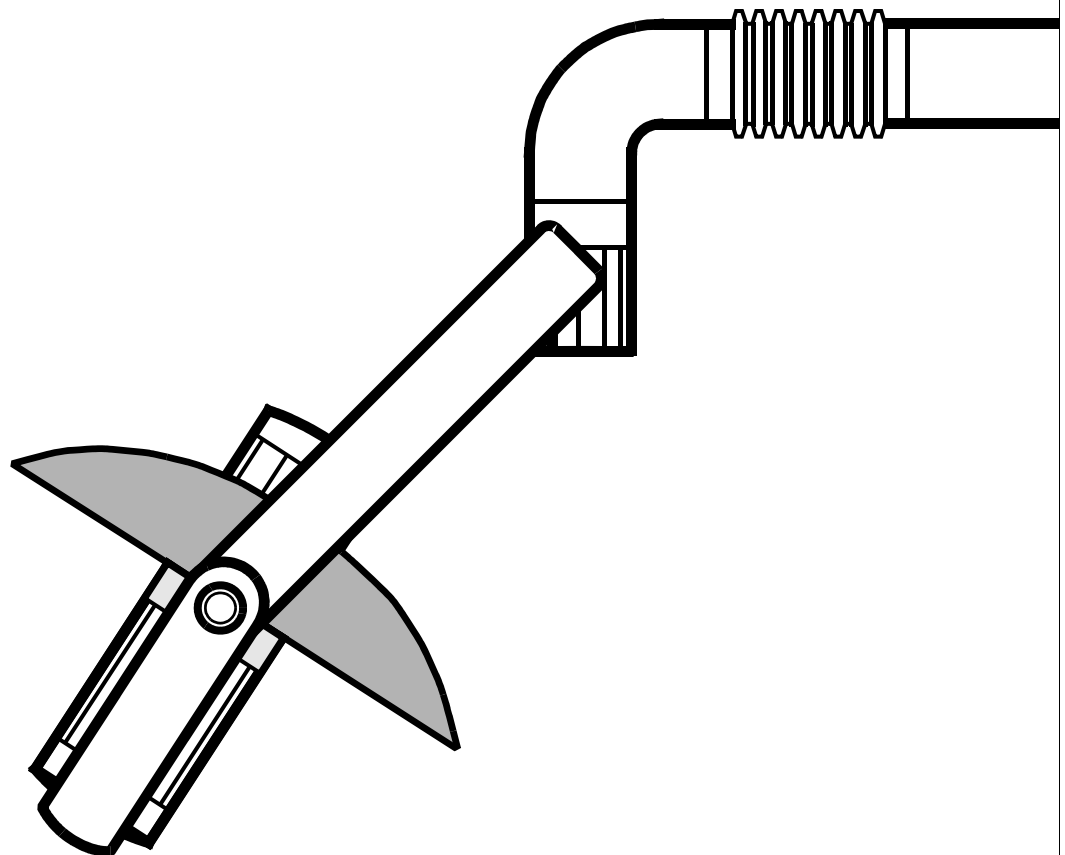

New as of:

06.2013

SIROLUX FANTASTIC

Operating Instructions

English



General information

Dear Customer

Thank you for purchasing your **SIROLUX® FANTASTIC** operating light from Sirona.

You should always keep these Operating Instructions within reach. Save the Operating Instructions on the PC or print them out.

We have set up an online portal for technical documentation at <http://www.sirona.com/manuals>. From here, you can download these Operating Instructions along with other documents. If you require a document in paper format, this can be ordered from there free of charge.

These Operating Instructions show the various light models (see chapter 3). They also describe device versions that are no longer available. This document is therefore also suitable for older products.

Familiarize yourself with the lamp by reading these Operating Instructions before putting it into operation. **To prevent personal injury or material damage** also observe the **safety information**.

Care and cleaning should be carried out based on the corresponding instructions.

Your
SIROLUX Team



Contents

1	Safety instructions	4
2	Technical description	7
3	Overview SIROLUX FANTASTIC	9
4	Operation	10
	4.1 Product description	10
	4.2 Controls.....	10
	4.3 Regulating the brightness	12
	4.4 Changing the handle position	13
5	Maintenance	14
	5.1 Replacing the halogen lamp	14
	5.2 Focusing the halogen lamp	15
6	Care and cleaning	16
	6.1 Care and cleaning agents	16
	6.2 Cleaning and disinfecting the reflector	16
	6.3 Cleaning the glass envelope	17
	6.4 Cleaning the fan	18
	6.5 Cleaning or disinfecting pushbutton handles	18
	6.6 Disinfecting lamp components	19

1 Safety instructions

Identification of the danger levels

To prevent personal injury and material damage, please observe the warning and safety information provided in the present Operating Instructions. Such information is highlighted as follows:

DANGER

An imminent danger that could result in serious bodily injury or death.

WARNING

A possibly dangerous situation that could result in serious bodily injury or death.

CAUTION

A possibly dangerous situation that could result in slight bodily injury.

NOTICE

A possibly harmful situation which could lead to damage of the product or an object in its environment.

IMPORTANT

Application instructions and other important information.

Tip: Information on making work easier.

Intended use

Illumination of the treatment area during dental treatment

This unit must **not** be operated in areas subject to **explosion hazards**.

Composite mode

To prevent premature curing when composite fillings are used, always operate the light in composite mode under these circumstances. The brightness is then limited to approx. 8,000 lux. Reduce the brightness to a minimum for the ceiling model.

WARNING

Despite the reduction in illuminance, modern high-sensitivity composite materials in particular can cure prematurely as a result of other light sources, e.g. cap lamps, ceiling lamps, daylight, etc. The application procedure must, therefore, be checked on an individual basis.

Support arms

Do not attach any additional loads not approved by Sirona to the support arm system!

Maintenance and service recommendations

As manufacturers of dental medical equipment and in the interest of the operational safety of your system, we stress the importance of having **maintenance and repair** of your treatment center performed only by ourselves or by agencies expressly authorized by us. Furthermore, safety-critical system components must always be replaced with **original spare parts** upon failure.

We suggest that you request a certificate showing the nature and extent of the work performed from those who carry out such work; it must contain any changes in rated parameters or working ranges (if applicable), as well as the date, the name of the company and a signature.

Modifications of the unit

Modifications to this system which might affect the safety of the system owner, patients or other persons are **prohibited by law!**

For reasons of product safety, this product may be operated only with **original Sirona accessories** or third-party accessories expressly approved by Sirona. The user is responsible for any damage resulting from the use of non-approved accessories.

Electromagnetic compatibility (EMC)

The SIROLUX FANTASTIC complies with the requirements of IEC 60601-1-2.

Medical electrical equipment is subject to special EMC preventive measures. It must be installed and operated as specified in the "Installation Requirements" document.

Portable and mobile RF communications equipment may interfere with medical electrical equipment. Therefore, the use of mobile wireless phones in medical office or hospital environments must be prohibited.

Disposal of the ceiling model

It generally applies that any disposal of this product must comply with the relevant national regulations. Please observe the regulations applicable in your country.

Within the European Economic Community, Council Directive 2002/96/EC (WEEE) requires environmentally sound recycling/disposal of electrical and electronic devices.



Your product is marked with the adjacent symbol. Disposal of your product with domestic refuse is not compatible with the objectives of environmentally sound recycling/disposal.

The black bar underneath the "garbage can" symbol means that it was put into circulation after Aug. 13, 2005. (see DIN EN 50419:2005)

Please note that this product is subject to Council Directive 2002/96/EC (WEEE) and the applicable national law of your country and must be recycled or disposed of in an environmentally sound manner.


Please contact your dealer if final disposal of your product is required.

Disposal of the unit model

The unit model is a component of the treatment center.

Please also observe the information on disposal provided in the operating instructions for your treatment center.

2 Technical description

Model designation	SIROLUX FANTASTIC
Light source	Halogen lamp
Illuminance	Can be adjusted from < 8000 lux to > 24,000 lux in accordance with ISO 9680
Lighting control	Electronic brightness control, composite function
Color temperature	approx. 5500 K
Increase in temperature in the patient's mouth	≤ 15°C, measured according to ISO 9680 (max. illuminance)
Power supply line	Unit model Electrical supply via the treatment center Ceiling model 100 V, 115 V, 230 V, 50/60 Hz
Nominal current	1.6 AC at 100V 1.4 AC at 115V 0.7 AC at 230V
Overvoltage category	2 acc. to IEC 60664-1
Protection class	Class I device
Degree of protection against ingress of water	Ordinary equipment (IP X0 – without protection against ingress of water)
Mode of operation	Continuous operation
Transport and storage conditions	Temperature: -40°C – +70°C (-40°F – 158°F) Relative humidity: 10% – 95% Air pressure: 500hPa – 1060hPa
Operating conditions	Ambient temperature: 10°C – 40°C (50°F – 104°F) Relative humidity: 30% – 85% (no condensation) Air pressure: 700hPa – 1060hPa Installation site: ≤3000 m above sea level Degree of contamination: 2 acc. to IEC 60664-1
Year of manufacture	 Unit model On the type plate of the treatment center Ceiling model on the rating plate of the SIROLUX FANTASTIC

Tests/approvals

The SIROLUX FANTASTIC complies with the requirements of **IEC 60601-1**, **IEC 60601-1-2** and **ISO 9680**

CE mark

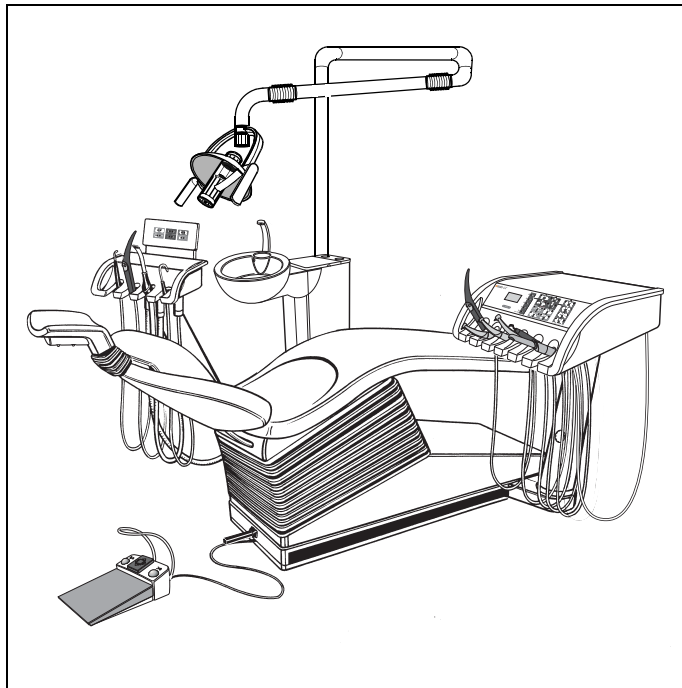


Unit model: In connection with Sirona treatment centers, this product complies with the provisions of the Council Directive 93/42/EEC of June 14, 1993 concerning medical devices.



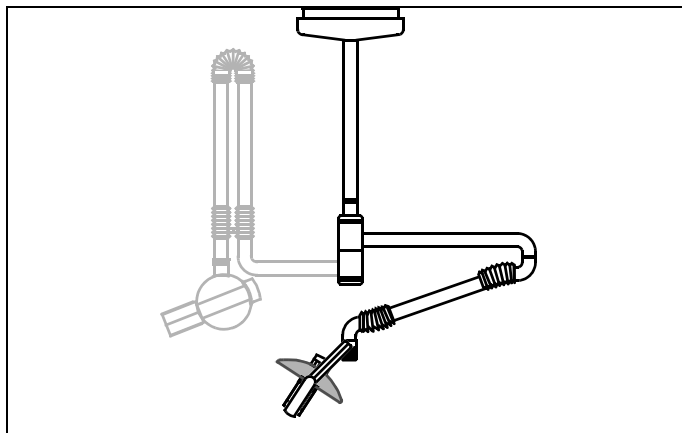
Ceiling model: This product bears the CE mark in accordance with the provisions of Council Directive 93/42 EEC of June 14, 1993 concerning medical devices.

3 Overview SIROLUX FANTASTIC



Unit model

This version is fastened to the water unit of the C1 – C4, C2⁺ – C5⁺, M1⁺, ProFeel⁺ and TENE0 treatment centers. The horizontal arm and lamp are adjustable.



Ceiling model

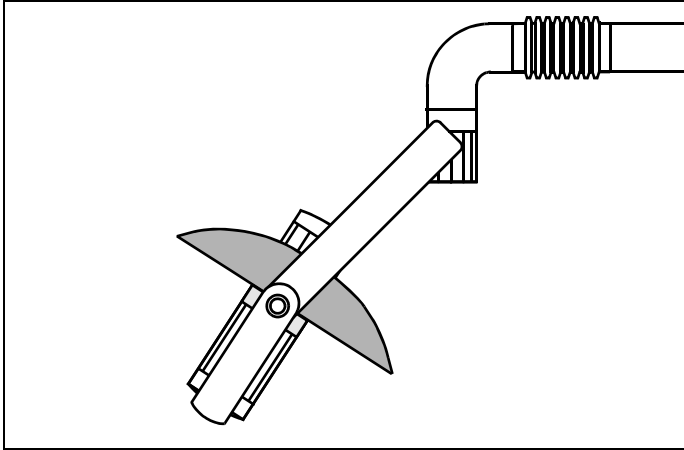
This version is rigidly fastened to the ceiling. The horizontal arm and lamp are adjustable.

IMPORTANT

A HELIODENT DS X-ray tube assembly from Sirona Dental Systems can be additionally attached to the vertical lamp support tube.

4 Operation

4.1 Product description



General information

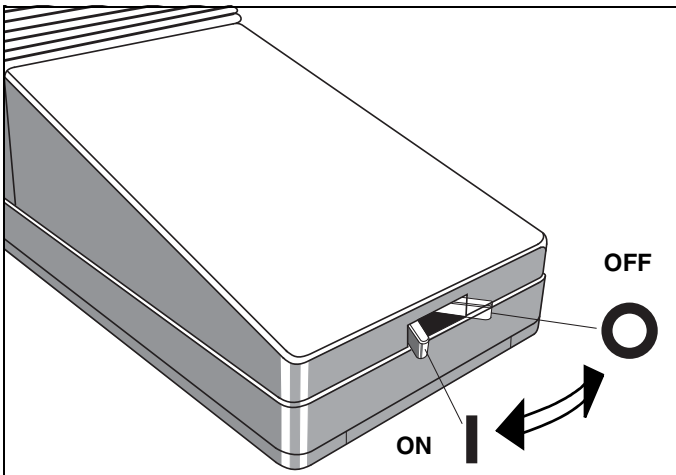
The lamp is attached to a height-adjustable support arm. It can be easily adjusted with the handgrips to illuminate the treatment area.

Brakes in the support arm hold the lamp in the position to which it has been adjusted.

The clearly restricted light field illuminates the treatment area without blinding the patient.

The halogen lamp is cooled by a fan.

4.2 Controls

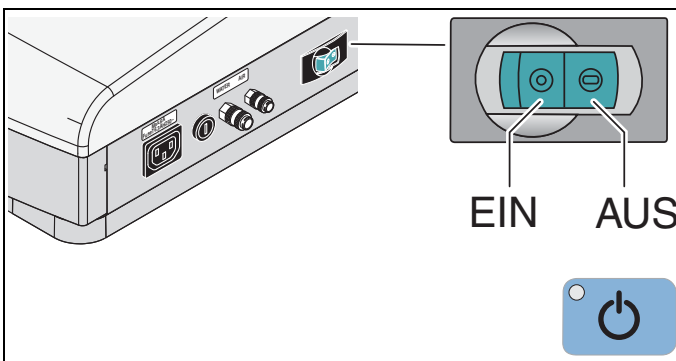


Turning the main switch on

The **unit model** features a main switch on the unit.

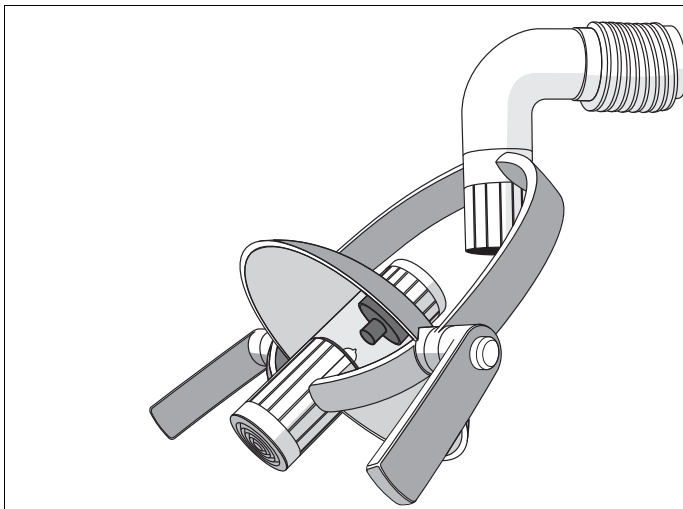
The **ceiling model** features an external switch in the building installation.

Turn the main switch **ON prior to** the beginning of treatment.



For TENEO

- Chair base
- Dentist element user interface



**Unit model:
 Switching ON/OFF via the control panel**

C1/C1



On the **C1 – C4, C1⁺ – C5⁺, M1⁺** and the **ProFeel⁺** the lamp is switched on and off on the unit control panel.

C2 – C4

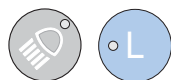


On the **C1 – C4, C1⁺ – C5⁺** the lamp can also be switched on and off hand-free using the cursor control of the foot control.

C2⁺ – C5⁺



M1⁺



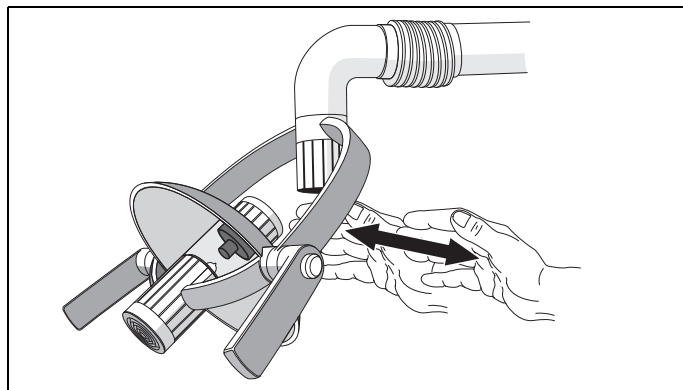
ProFeel⁺



TENEO



On **TENEO**, the light on the control panel of the unit is switched on and off.



Switching ON/OFF via a proximity switch

On the **ceiling model**, the lamp is switched on and off via a proximity switch.

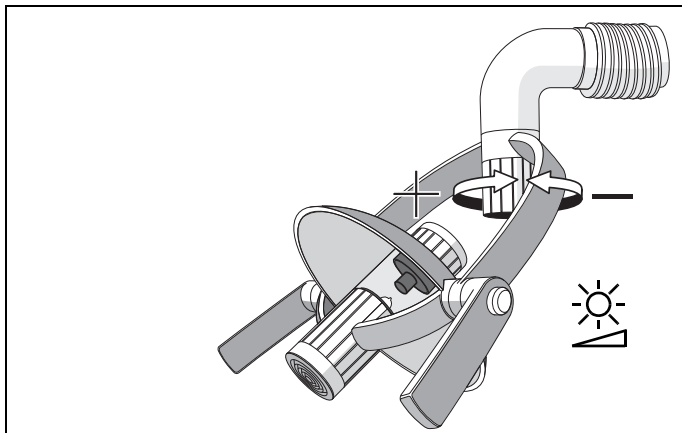
This function is also available for the **unit model** with the **ProFeel⁺**.

- Move your hand into the area under the black cover.

IMPORTANT

The main switch must be turned on in order to do this!

4.3 Regulating the brightness



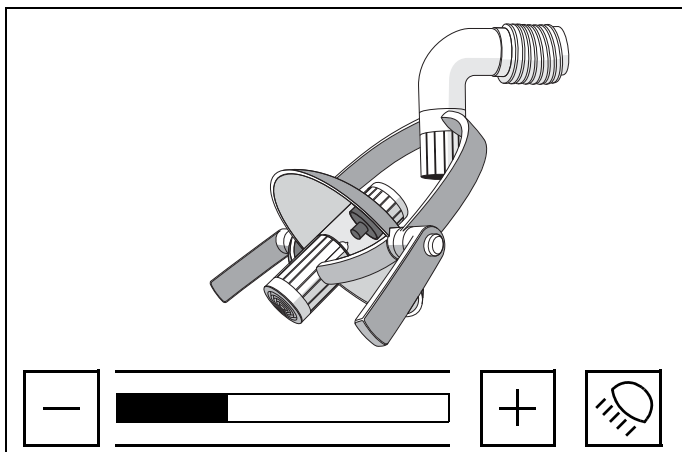
Ceiling model and ProFeel⁺: Regulating the brightness

Continuous brightness control on the regulator.

Clockwise rotation: brighter +
Counterclockwise rotation: darker -

! WARNING

In order to prevent premature curing of composite fillings, you should reduce the brightness of the light considerably whenever performing such treatments. Also see page 4, Composite mode.



Unit model: Regulating the brightness via the control panel

With C1/C1⁺ unit

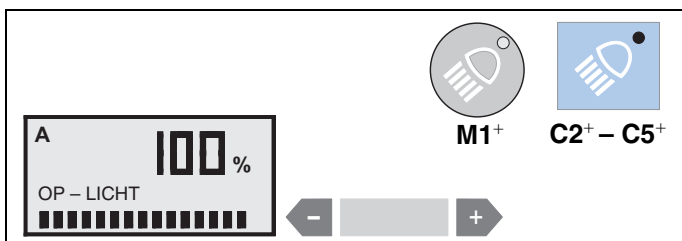
Continuous brightness control from the control panel or the foot switch.

Composite key **C** in the assistant program.
(see **Operating Instructions** for the unit)



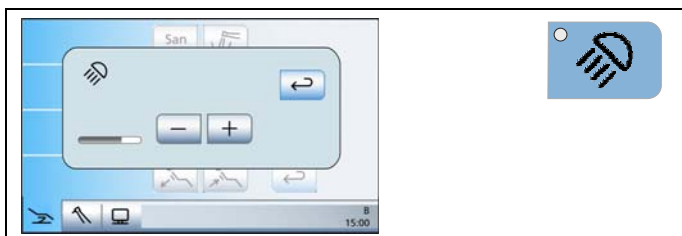
With C2 – C4 unit

Adjust brightness on the control panel.
(see **Operating Instructions** for the unit)



For C2⁺ – C5⁺, M1⁺

Adjust brightness on the control panel.
(see **Operating Instructions** for the unit)



For the TENE0 unit

Adjust brightness on the control panel.
(see **Operating Instructions** for the unit)

ProFeel⁺



M1⁺



C2⁺ – C5⁺



TENEO



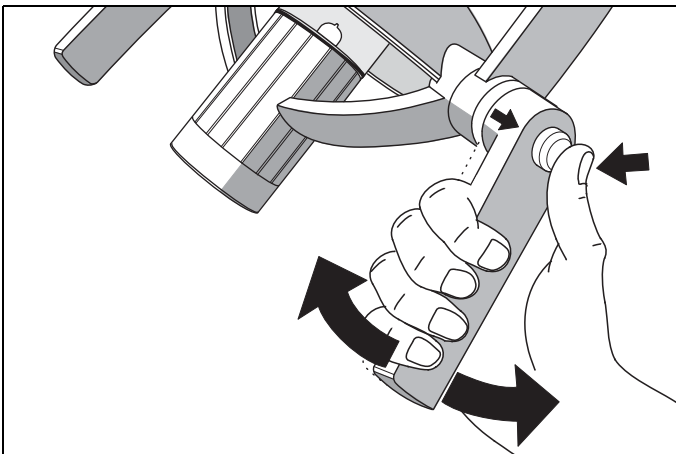
Switch-over to composite

! WARNING

To prevent premature curing when composite fillings are used, always operate the light in composite mode under these circumstances. Also see page 4, Composite mode.

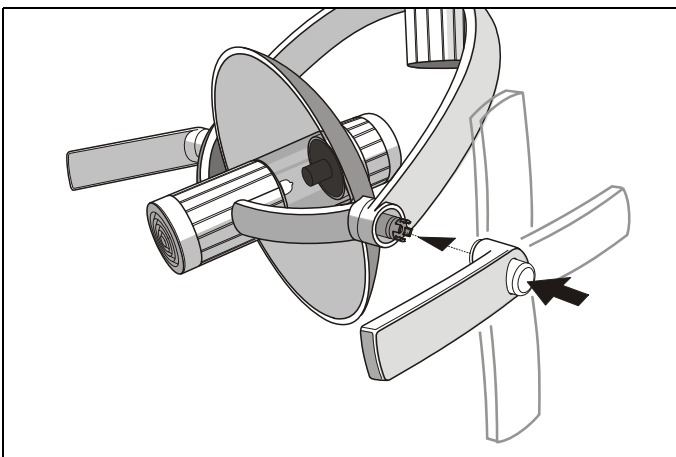
The switch-over to composite takes place with a customized key on the dentist element control panel (see the **Operating Instructions** for the unit).

4.4 Changing the handle position



To change the handle position, proceed as follows:

- Press and hold down the button.
- Slightly pull out the handle and turn it until it has reached the desired position.
- Release the button and let the handle lock in place.



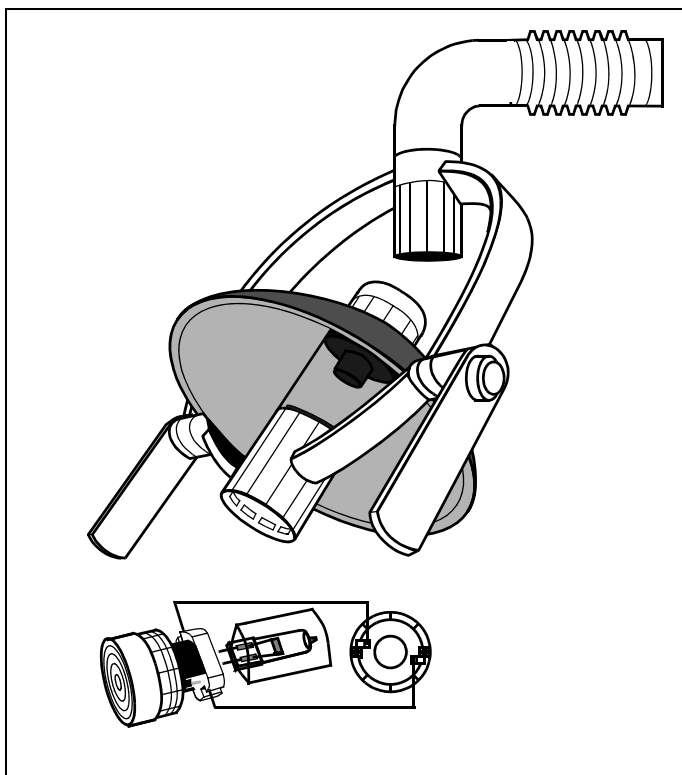
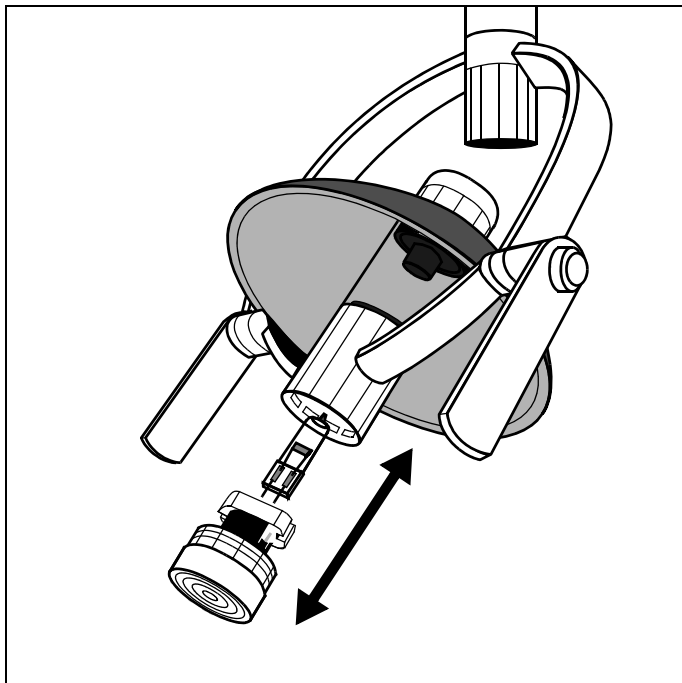
Four handle positions are possible when attaching. The handle must snap in audibly.

IMPORTANT

The handles can be ordered in pairs under REF 59 76 928.

5 Maintenance

5.1 Replacing the halogen lamp



⚠ CAUTION

Always turn the main switch of the operating light or the ceiling model off before replacing the lamp (see page 10)!

⚠ CAUTION

Pay attention to elevated temperature of the lamp components; and let these cool down.

⚠ WARNING

To ensure operational reliability and working safety, please use only OEM halogen lamps from Sirona.

Halogen lamp REF 62 03 629

- Pull out fitted cover with base and halogen lamp.

IMPORTANT

If the cover is not turned when pulling out, the focusing of the lamp remains the same.

- Pull the defective halogen lamp out of the base and insert the new lamp **until it locks in place**. Do not bend the pins.

NOTICE

Do not hold the glass envelope of the lamp with the fingers (service life!).

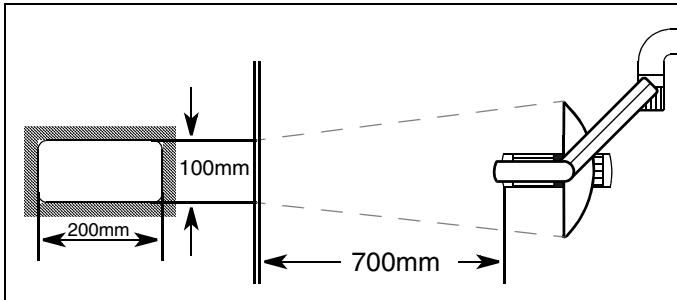
If the glass envelope has been touched, wipe it clean with methyl alcohol.

- Reinsert the cover with base and halogen lamp.
- 🔓 The cover must lock in place!
- The side openings in the base must be pushed onto the contact pins inside the lamp.
- Turn the main switch back on.

Following replacement

check the focusing of the lamp (see page 15).

5.2 Focusing the halogen lamp

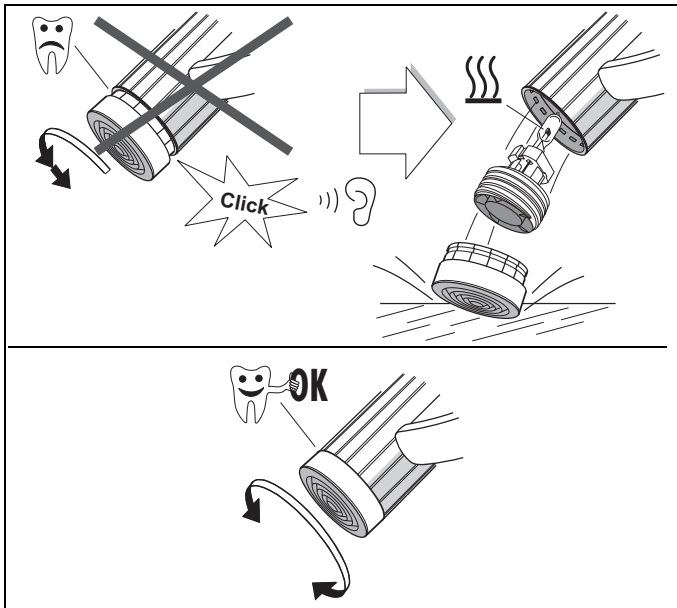


Light field

At a distance of 700 mm, the light field should have a sharply focused, homogeneous form of 100 mm x 200 mm on a dull background.

IMPORTANT

Incorrect adjustment of the halogen lamp can result in overheating, causing the temperature fuse to respond.



Focusing

CAUTION

When focusing, make sure you turn the cover cap only slightly and just up to its stop. If the cover cap is turned counterclockwise past the stop, it will spring out of its catch and the halogen lamp can fall down.

1. Set the lamp against a dull background.
2. Turn the cover until the light field is sharply focused.

6 Care and cleaning

6.1 Care and cleaning agents

NOTICE

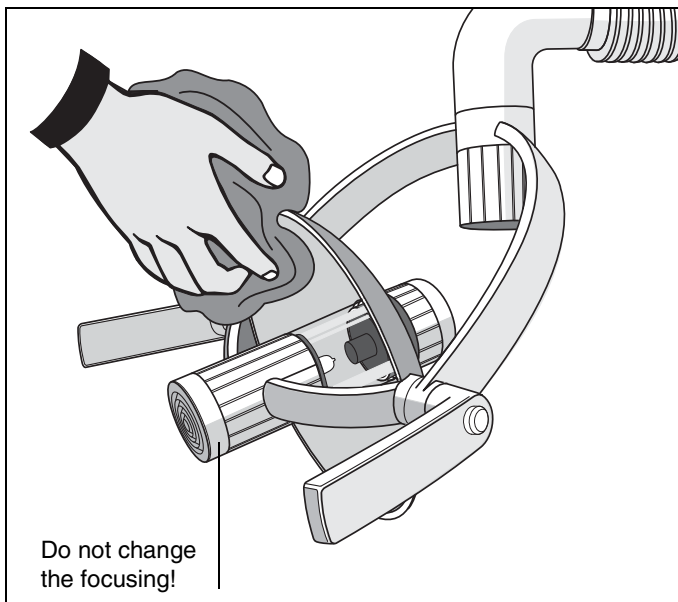
Use only cleaning and care agents which are approved by Sirona!

A continuously updated list of approved agents can be downloaded from the Internet at "www.sirona.com". In the navigation bar, go to the menu items "SERVICE"/"Care and cleaning" and then open the document "Care and cleaning agents".

If you do not have any access to the Internet, please contact your dental depot to order the list.

REF 59 70 905

6.2 Cleaning and disinfecting the reflector



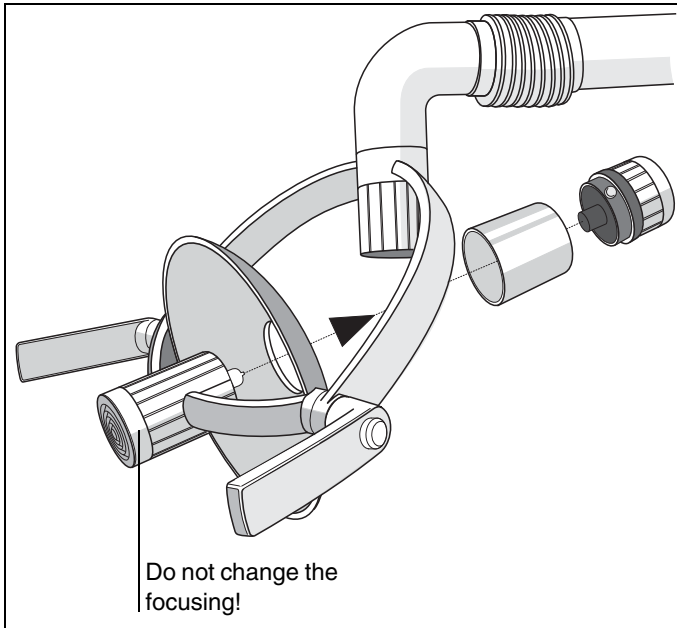
CAUTION

Pay attention to elevated temperature of the lamp components; and let these cool down.

The reflector should be cleaned with a dry, lint-free cloth, if needed.

Spots or finger prints on both sides of the reflector can be removed with alcohol (at least 70%).

6.3 Cleaning the glass envelope



The **glass envelope** is explosion-proof for the halogen lamp and absorbs UV radiation.

CAUTION

Pay attention to elevated temperature of the lamp components; and let these cool down.

CAUTION

Use only cleaning and care agents which have been approved by Sirona (see page 16, Care and cleaning agents) or alcohol (at least 70%)!

NOTICE

The glass envelope must be removed before cleaning. Here, there is a risk that the glass envelope will fall out. Proceed with the following steps with extreme caution.

Disassembly

1. Turn the rear cap on the knurl to the left.
2. Pull out the cap and hold the glass envelope firmly.
3. Pull off the glass envelope for cleaning.

Installation

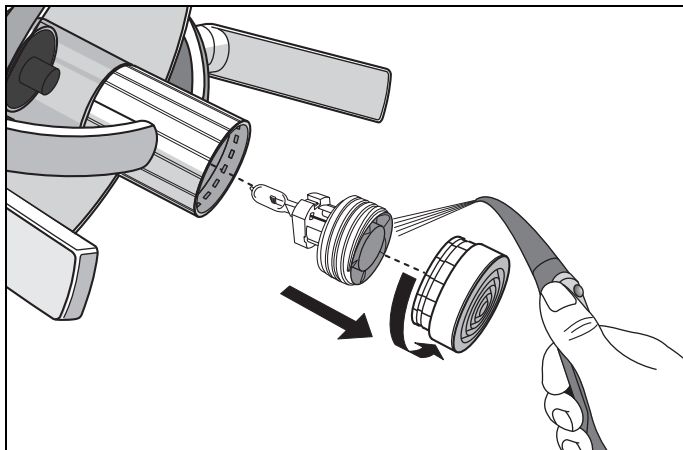
4. Place the glass envelope onto the cover
5. Reinsert the glass envelope with cover until it locks in place.
6. Turn the locking ring to the right.

The glass envelope must be held firmly with a cloth.

CAUTION

The glass envelope must fit securely so that it cannot fall out.

6.4 Cleaning the fan

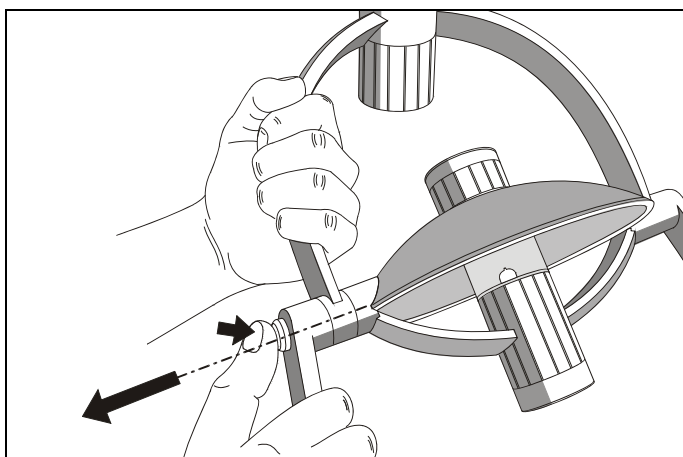


! CAUTION

Pay attention to elevated temperature of the lamp components; and let these cool down.

1. Turn the main switch off (see page 10).
2. Pull out the halogen lamp with fan towards the front.
3. Unscrew the cover.
4. Clean the fan and cover with SPRAYVIT air.
5. Reinstall the fan and halogen lamp.
6. Finally, refocus the halogen lamp (see page 15, Focusing the halogen lamp).

6.5 Cleaning or disinfecting pushbutton handles

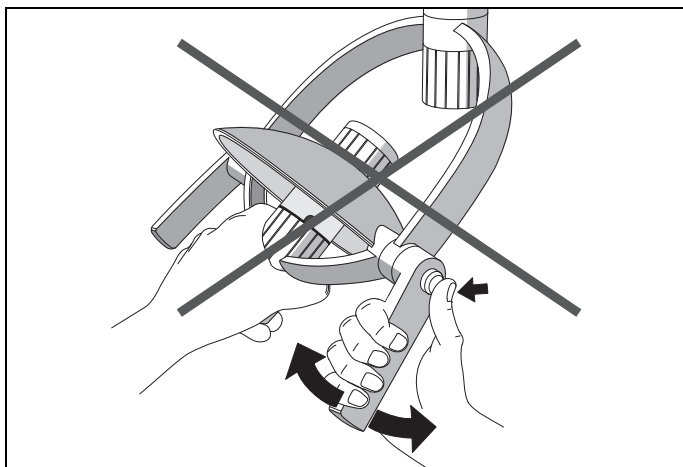


Disinfecting

The handles can be spray or wipe disinfected with surface disinfectants and thermally treated for 3 min. at temperatures of up to 134° approx. 100 times.

NOTICE

Use only cleaning and disinfecting agents which have been approved by Sirona (see page 16, Care and cleaning agents).



NOTICE

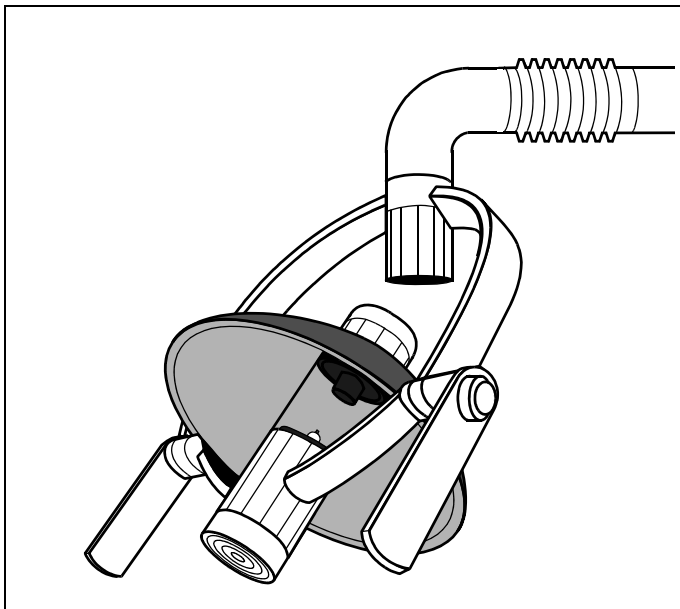
Both handles must be pulled off for cleaning or disinfecting. To prevent damage, proceed as follows.

- Only fasten the light to the clamp as shown.
- Grip the handle as far upwards as possible with the other hand, press and hold the button and remove **in a straight, axial motion** (avoid tilting).

NOTICE

Never hold on to the lamp while pulling off the handles. If the handles are turned toward the lamp during removal, the handle fixture may be damaged!

6.6 Disinfecting lamp components



Disinfecting

The lamp components and the support arms can be wiped with surface disinfectants.

NOTICE

Use only cleaning and disinfecting agents which have been approved by Sirona (see page 16, Care and cleaning agents).



CAUTION

Do not allow liquids to penetrate into the ventilation slots!

We reserve the right to make any alterations which may be required due to technical improvements.

© Sirona Dental Systems GmbH 1998-2013
D 3280.201.01.28.02 06.2013

Language: English
Change No.: 117 400

Printed in Germany
Imprimé en Allemagne

Sirona Dental Systems GmbH

Fabrikstrasse 31
64625 Bensheim
Germany
www.sirona.com

Order no. **60 55 300 D 3280**